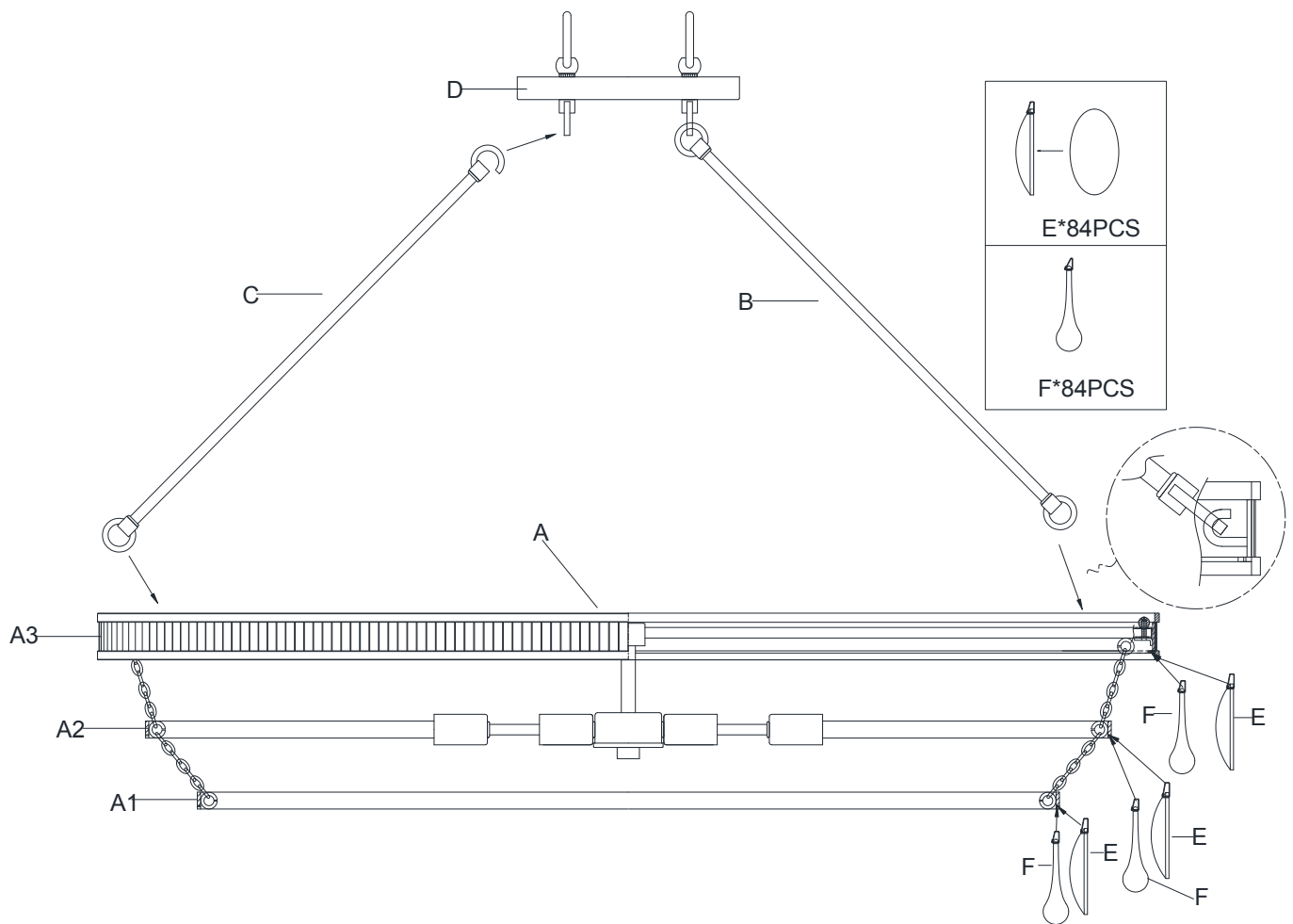




ASSEMBLY INSTRUCTIONS

ITEM NO.: 1-8702-8



B → A → C → D → E → F → A1 → A2 → A3

1. Carefully unpack and identify all parts referring to illustration for parts identification.
2. Turn the power to the installation point OFF.
3. Carefully place the bottom end of the support arm (B) to the hook of top assembly (A3) of the fixture body (A) as shown in the diagram.
4. With the help of another people carefully place the both ends of the support arm (C) to the loop of the canopy assembly (D) and to the hook of top assembly (A3) of the fixture body (A) as shown in the diagram.
5. Attach the crystals (E) and crystal beads (F) to the bottom assembly (A1), then repeat the process for the remaining crystals (E) and crystal beads (F) to the center assembly (A2) and top assembly (A3).
6. Install proper bulbs (not provided) to the sockets referring to the marking and/or labels on the fixture for maximum wattage.
7. Restore the power to the installation point ON.
8. Assembly is completely. Retain this sheet for future reference.