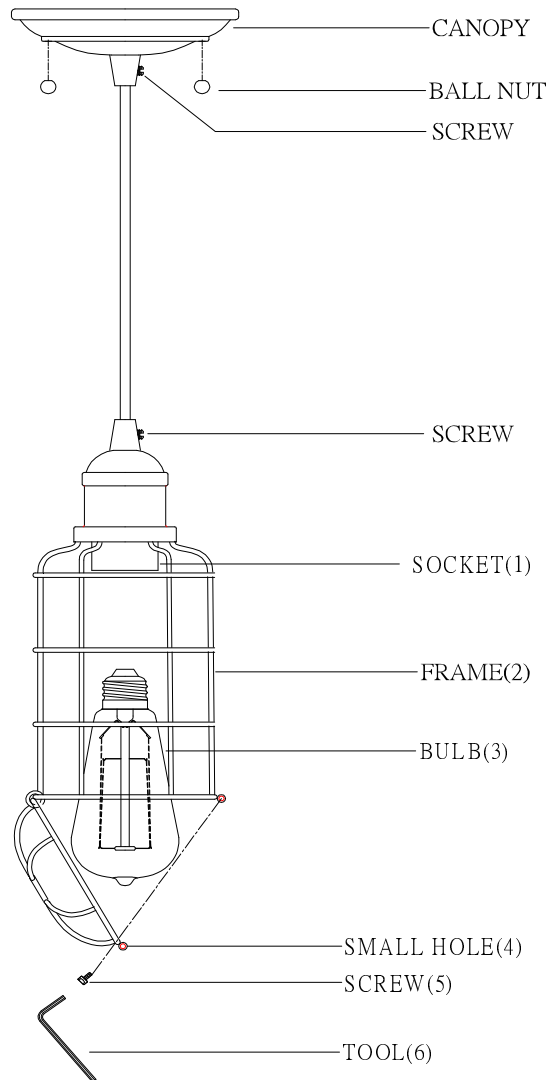




LIGHTING

ITEM NO : 7-4133-1-13
7-4133-1-SN



INSTALLATION INSTRUCTIONS

1. Carefully remove the fixture out of the carton, and check that all parts are included referring to the above illustration. Make sure not to misplace any parts that are needed for the installation;
2. Open then bottom frame cover(4) by taking off the scew(5) using the tool(6);
3. Install the bulb(3) into socket(1);
4. Lock the bottom frame cover(4) onto the frame(2) by the screm(5) using the tool(6)!