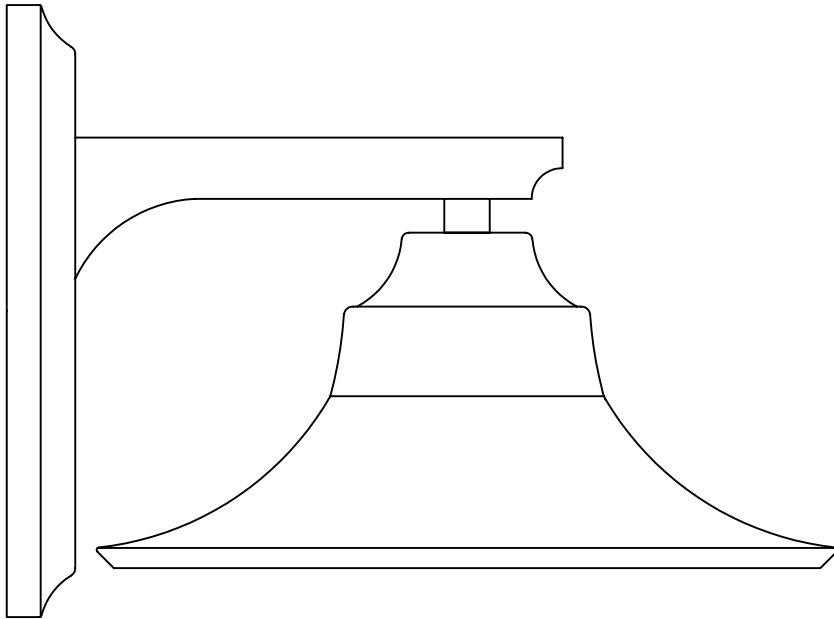


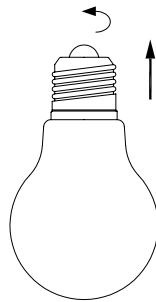


Assembly Drawing For

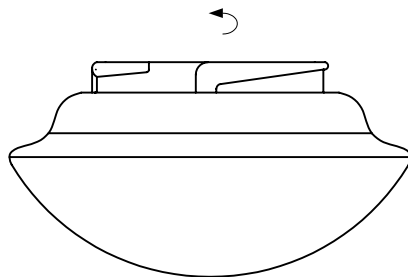
5-5071-1-32



_____ A



_____ B



_____ C

B-A

C-A