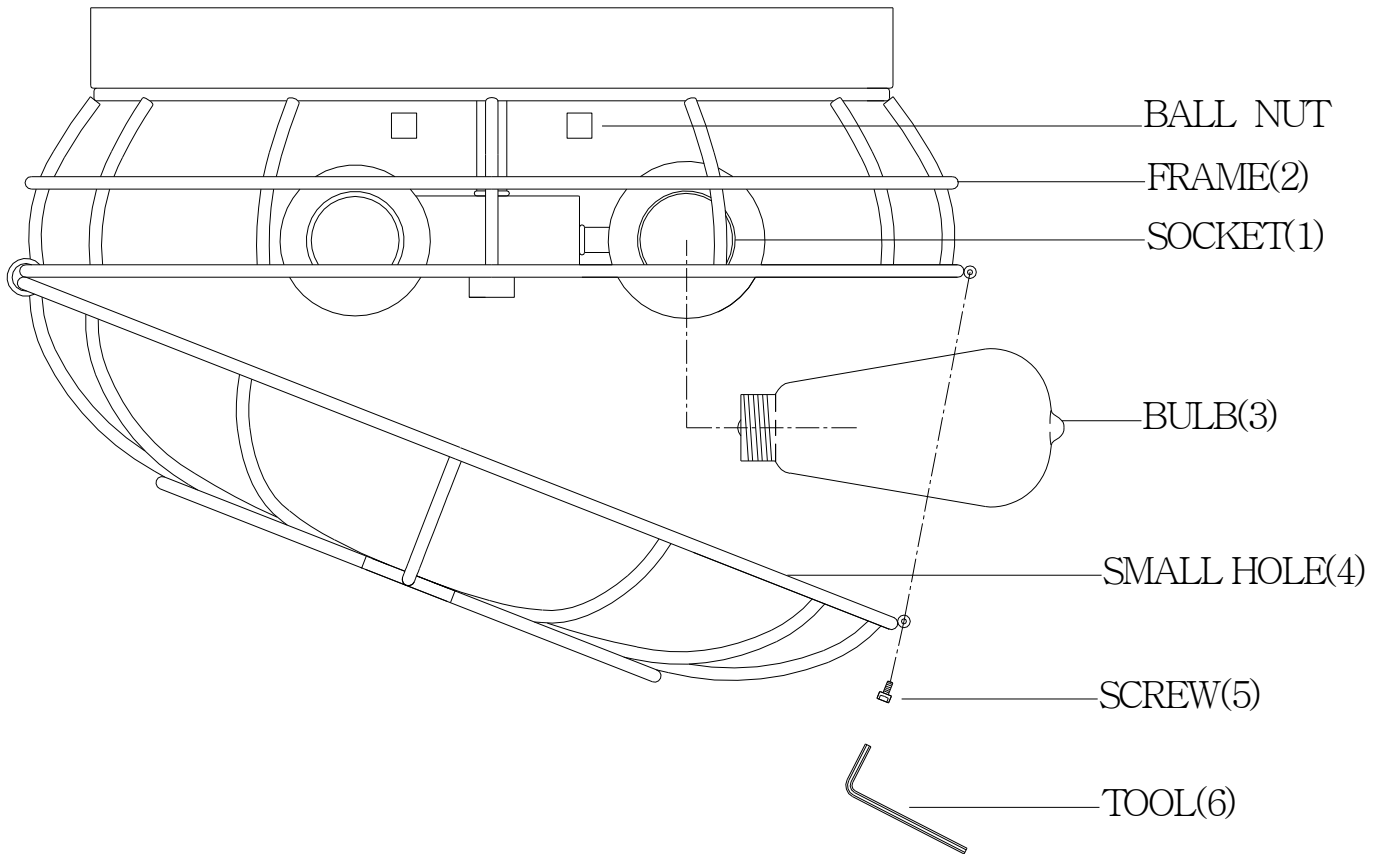




ITEM NO : 6-8074-15-13

LIGHTING



INSTALLATION INSTRUCTIONS

1. Carefully remove the fixture out of the carton, and check that all parts are included referring to the above illustration. Make sure not to misplace any parts that are needed for the installation;
2. Open then bottom small hole(4) by taking off the screw(5) using the tool(6);
3. Install the bulb(3) into socket(1);
4. Lock the bottom frame cover(4) onto the frame(2) by the screw(5) using the tool(6)!