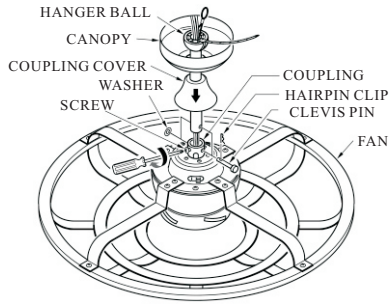
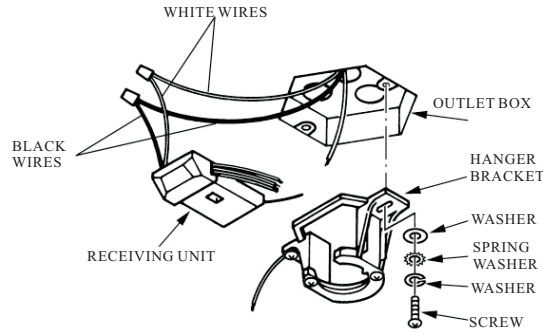


IMPORTANT INSTRUCTION

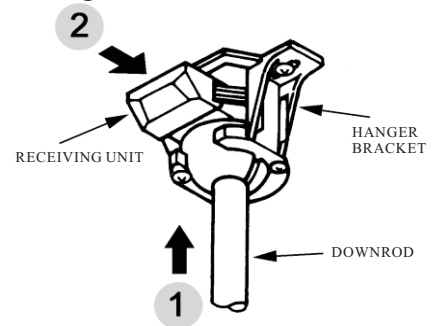
1. Install the downrod, hanger ball and coupling cover.



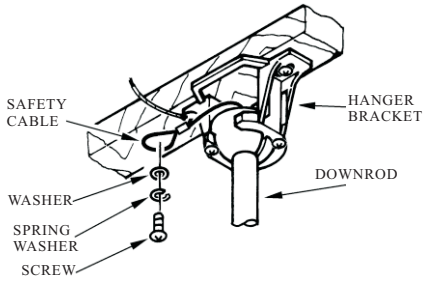
2. Install the hanger bracket



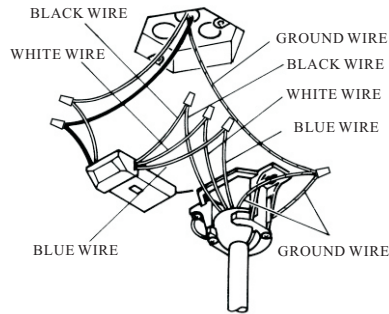
3. Install the receiving unit into hanger bracket.



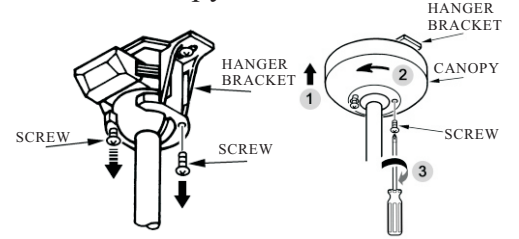
4. Secure the safety cable



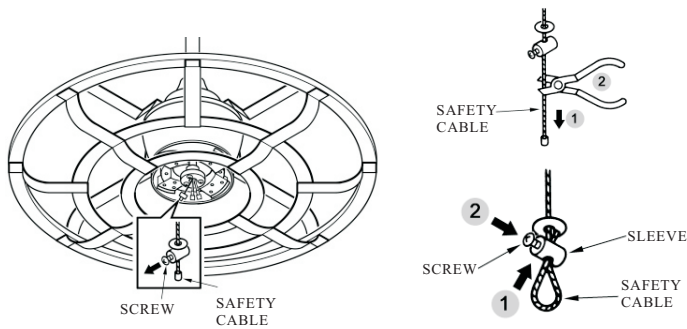
5. Wire connections.



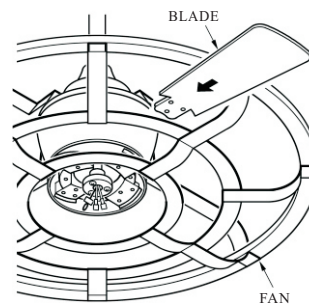
6. Loosen the screws and install the canopy.



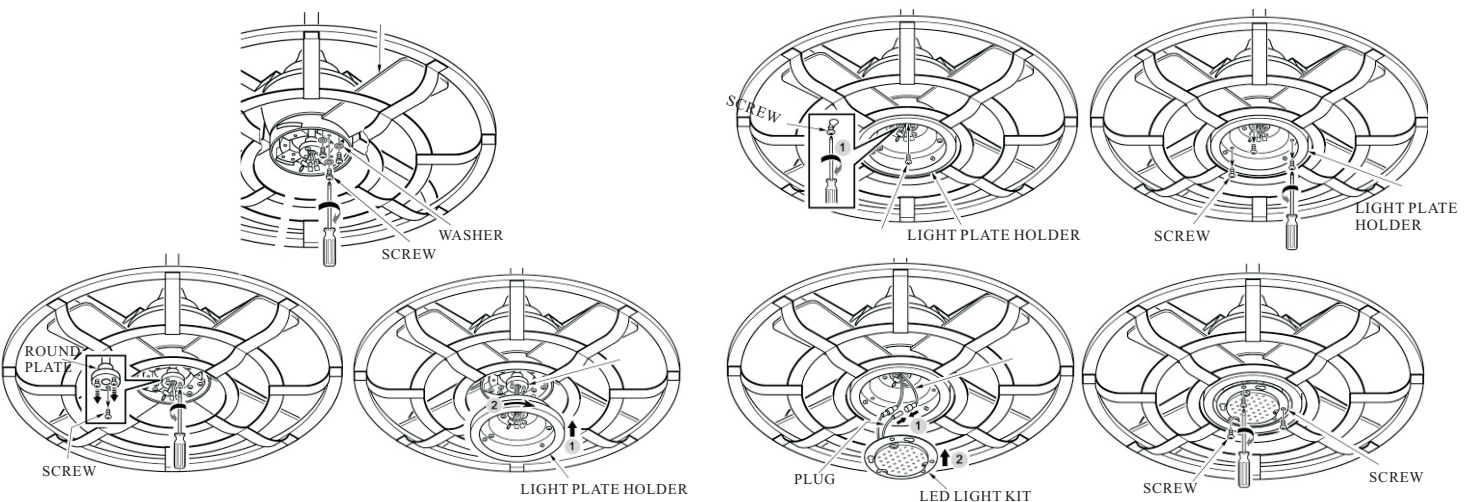
7. Secure the safety cable and re-install the cable.



8. Install the blade.

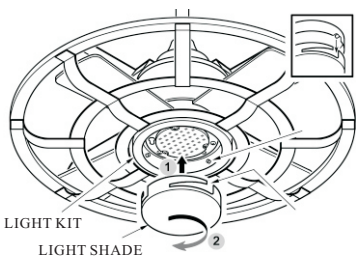


9. Install the light kit plate holder.

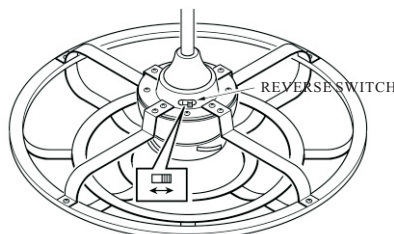


10. Install the LED light.

11. Install the light shade.



12. Operate the reverse switch for airflow.



GENERAL INFORMATION MODEL UC7238TA-01

This remote control is designed to separately control your ceiling fan speed and light brightness.

There are four buttons(Hi,Med,Low,Off)to control the fan speed and off.

The light button will control the lights brightness dimmer and off.

The red indicator on the transmitter will light when the button is pressed.

INSTALLATION AND OPERATING INSTRUCTION

1.SETTING THE CODE

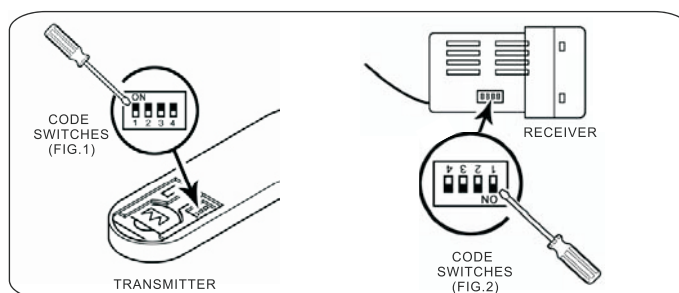
This unit has 16 different code combinations. To set the code.Perform these steps.

A.Setting the code on the transmitter.

- Remove battery cover.Press firmly below arrow and slide battery cover off.
- Slide code swithes to your choice of up or down position.(Factory setting is. all up.Do not use this position.Use a small screwdriver or a ball point pen to slide firmly up or down(figer 1).

B.Setting the code on the receiver.

- Slide code switches to the same positions as set on your transmitter(figer 2).
- Replace battery cover to transmitter.



2.INSTALLING RECEIVER IN CEILING FAN

A.Safety precautions:

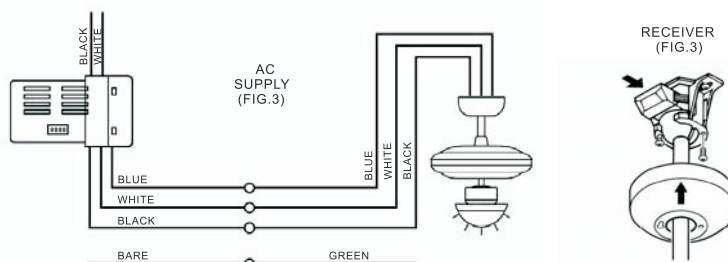
- .WARNING:HIGH VOLTAGE!Disconnect source of electrical power by removing fuse or switching off circuitbreaker.
- .Do not use with solid state fans.
- .Electrical wiring must meet all local and national electrical code requirements.
- .Household electrical power can cause serious injury or death!

B.Installing receiver in fan

- Remove electrical power from the circuit
- Remove ceiling fan canopy fromthe circuit
- Disconnect existing wiring between ceiling fan and supply at electrical junction box.
- Make connections as follows,using the wire nuts supplied:
Connect BLACK control unit wire to BLACK supply wire(AC L)
Connect WHITE control unit wire to WHITE supply wire(AC N)
Connect WHITE control unit wire(MOTOR N) to WHITE fan wire
Connect BLACK control unit wire(MOTOR L) to BLACK fan wire
Connect BLUE control unit wire(FOR DOWN LIGHT) to blue light wire

If other fan or supply wires are different colors,have this unit installed by qualified licensed electrician.

- Push all connected wires up into junction box.
- Lay the black antenna wire on top of the receiver,and put the receiver in the mounting bracket.
- reinstall the canopy on the mounting bracket.
- restore electrical power.



CAUTION

Do not use fan speed control in canopies where the mounting is not as described in figure 4 of the installation instructions.

3.OPERATING TRANSMITTER:

A.Install 3 volt CR2032 lithium cell battery(included).

(To prevent damage to transmitter,remove the battery if not use for long period).

B.Store the transmitter away from excess heat or humidity.

C.This remote control unit is equipped with 16 code combinations.To prevent possible interference from or to other remote units such as garage door openers,car alarm or security system. if you find the your fan and light kit go on and off without using your remote control, simply change the combination code in your transmitter and receiver.

D.Operation buttons on the panel of the transmitter.

- key for fan high speed.
- key for fan medium speed.
- key for fan low speed.
- key for fan speed off.

E.Light control

- Press light key to turn on the light.
- Press and hold for dimming feature.

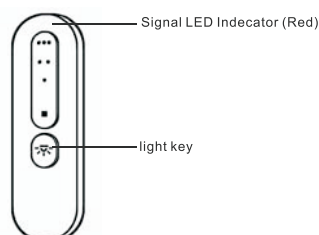
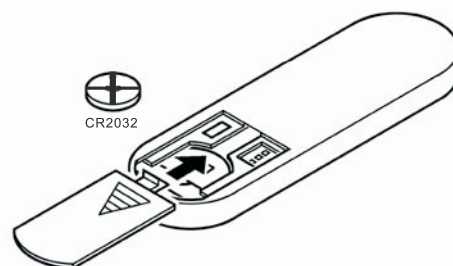
F.Memory function

If turn off light by wall control,it will memoriazee and recover automatically to last time's fan speed and light brightness when turn on them next time.

4.TROUBLE SHOOTING GUIDE

1.Fails to operate:

- Power to receiver?
 - Reiceiver wired correctly?
 - Fan manual speed control in highest position?
 - Light kit switch turned on?
 - Good battery in the transmitter?
 - Code set at exact same positions in both transmitter and receiver?
- 2.Won't operates fan/light kit when up close,but not at 30 feet away.
try placing the black antenna wire higher,up through ceiling/outside the junction box



NOTICE !

Your ceiling fan and light kit assembly must meet the following requirements:

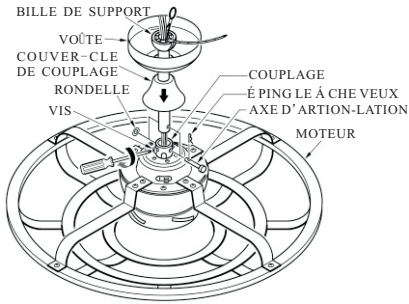
- Do not use with solid state fans
- Eledrial rating: 120V 60Hz 3.5A
MAX.motor amps: 1.0
MAX.light watts: 300

CANTION:

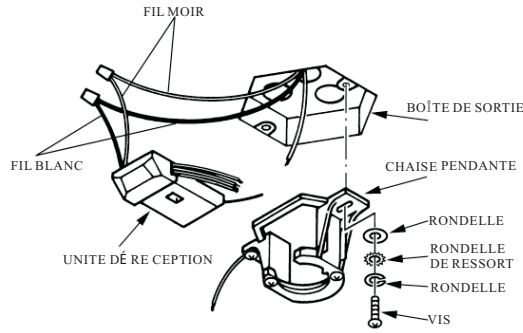
Ceiling Angel Shall Not Exceed 30 Degress.For Mounting controller. Models UC-7067RC.

IMPORTANT INSTRUCTION

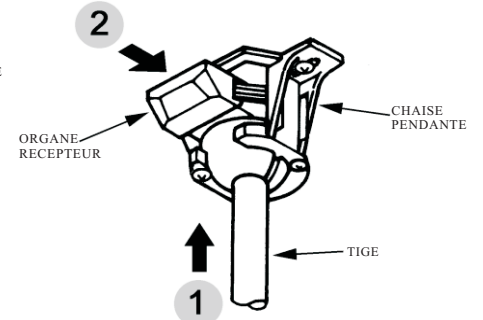
1. Installer le tige, La voûte et le couvercle de couplage.



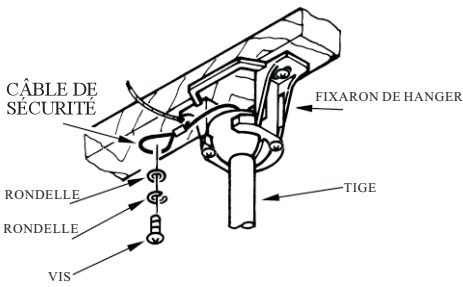
2. Installer La chaise pendante.



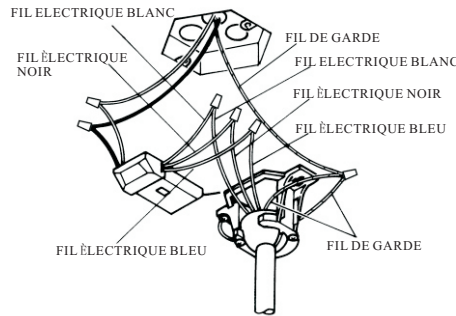
3. Installer L'organe receptr dans La chaise pendante.



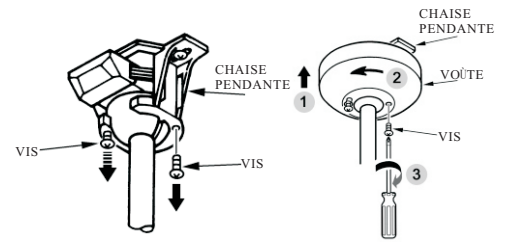
4. Attacher La câble de sésurite.



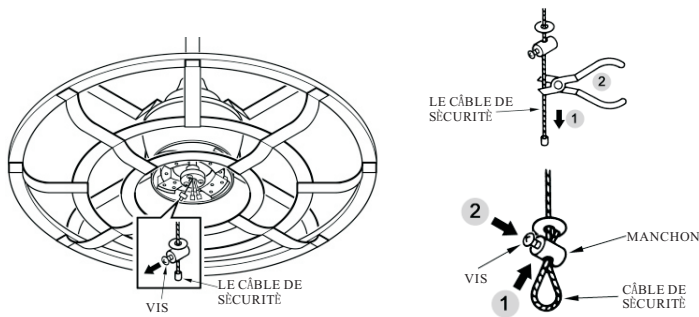
5. Fil de connection.



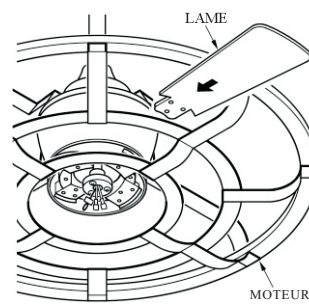
6. Installer l'auvent.



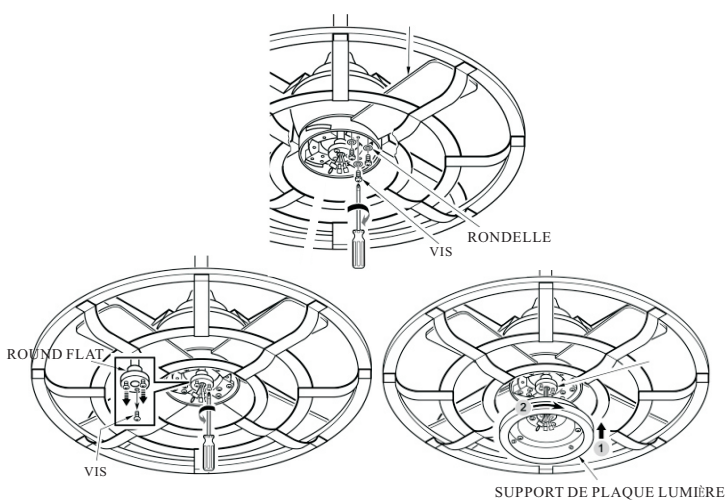
7. Couper le câble de sécurité et le réinstaller.



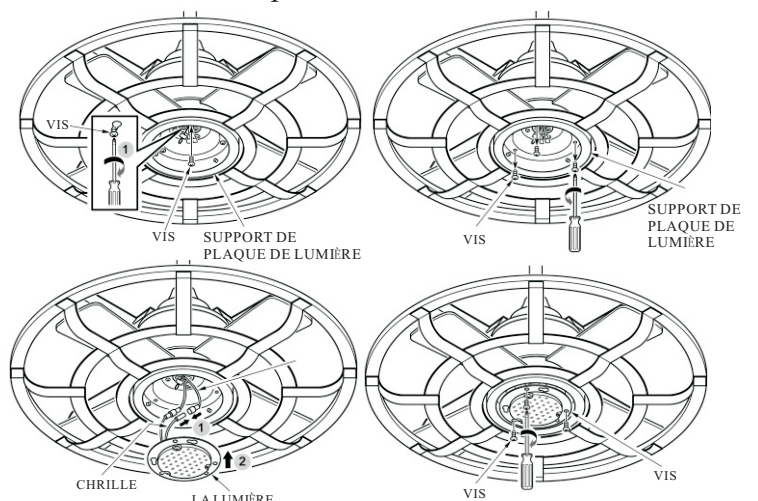
8. Installer la lame.



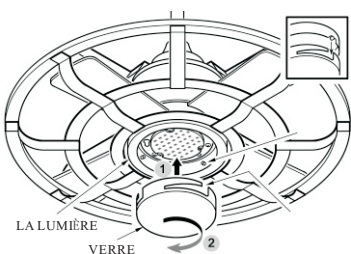
9. Installer support de plaque de Lumière.



10. Installer les ampoules LED.



11. Installer La Lumière kit.



12. Interrupteur de marche arrière.

