

ASSEMBLY AND INSTALLATION



INSTRUCTION

Please read carefully and save this instruction, as you may need them at a later date.

CAUTION

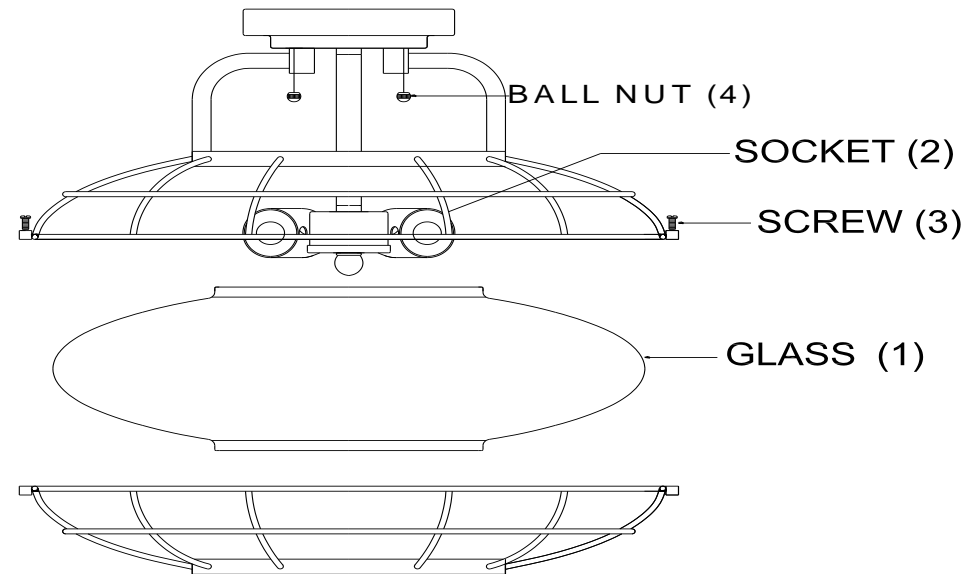
Turn off the main power at the circuit breaker before installing the fixture, in order to prevent possible shock. If you are unfamiliar with proper electrical wiring connections, please consult of a qualified electrician before installing

Installing Step:

Remove the fixture and the mounting package from the box and make sure that no parts missing in the box.

1. Open the Metal Cage and put the Glass (1) onto the Socket (2).
2. Install bulbs: (Bulbs not including in the package)
(Please don't exceed the maximum capacity that recommended on the Sockets)
3. Closed the Metal Cage and use the Screw (3) thread the Metal Cage tightly .
4. Thread the Ball Nut (4) tightly.

INSTALLATION IS NOW COMPLETED.



6-574-3-13