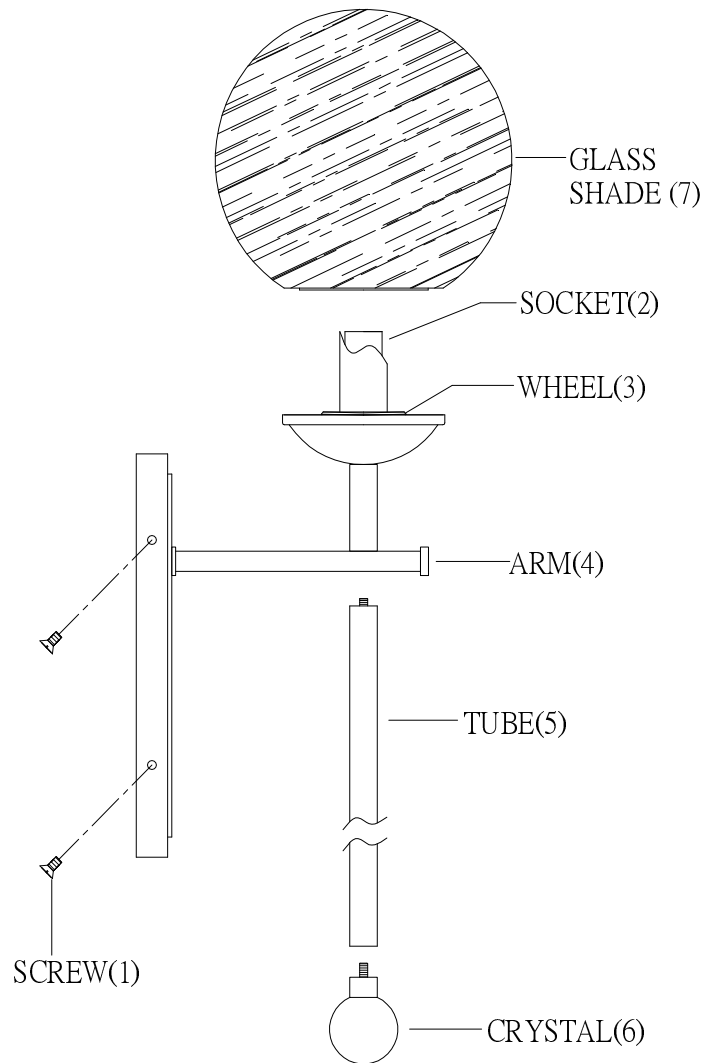




ITEM NO: 9-4504-1-SN

LIGHTING



INSTALLATION INSTRUCTIONS

1. Carefully remove the fixture out of the carton, and check that all parts are included referring to the above illustration. Make sure not to misplace any parts that are needed for the installation;
2. Install the tube (5) into the arm (4).
3. Install the crystal (6) into the tube (5).
4. Install the glass shade (7) into the wheel (3), then secure them with glass shade (7).
5. Fixture is ready for lamping and installation.